

MG VISION-LITE

Product Overview



Key Benefits of MG Vision-Lite

- ✓ **Sophisticated Imisight Embedded Image Processing**
- ✓ Advanced AI Cloud Management
- ✓ Interactive In-Vehicle Human-Machine Interface
- ✓ Simplified Installation & Calibration Process

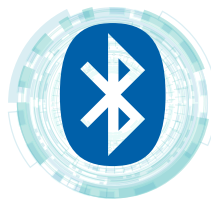
COMPREHENSIVE STATE-OF-THE-ART DASHCAM

MG Vision-Lite embodies a comprehensive package, integrating both tangible hardware and intuitive software components.

At its core, it operates on an Android-based processor, equipped with dual cameras designed to support Advanced Driver Assistance System (ADAS) and Driver Monitoring System (DMS), meticulously observing both external road conditions and internal driver actions.

The device boasts 4GB RAM, 32GB ROM, and support for up to 256GB expandable memory ensuring ample storage for recordings. With integrated GPS, Wi-Fi, and Bluetooth, it offers enhanced connectivity, enabling cloud video uploads and in-car internet for passengers.

MG Vision-Lite also supports Bluetooth accessories, such as a push-to-talk button for LTE calls, and a camera button for event recording.



ELEVATE YOUR DRIVING EXPERIENCE WITH MG VISION-LITE

MG Vision-Lite delivers automatic voice warnings while you're on the road, and records 10 seconds before and after an incident for added clarity. Perfect for everyone! Whether you're a private driver looking to keep yourself and your loved ones safe, or a Fleet manager seeking to boost driver safety and analyze costs with ease, our user-friendly app puts the power in your hands.

CONTACT US:

 www.mobilegroup.com

 Info@mobilegroup.co.il

SAFETY IS ABOVE ALL

© ALL RIGHTS RESERVED - Mobile Group Copyright 2024

Specifications provided by the manufacturer are subject to modification at any time without prior notification. Mobile Group disclaims any responsibility for inaccuracies or omissions in the provided information.

MG VISION-LITE

Product Overview

JOIN THE REVOLUTION IN DRIVING SAFETY

Enjoy enhanced peace of mind, superior coverage, and the power of advanced technology at your fingertips. Your road safety, elevated to the next level.

- ✔ **Dual-Camera System:** Equipped with 2 cameras for comprehensive monitoring both outside and inside the vehicle. Advanced Driver Assistance System (DAS) and Driver Monitoring System (DMS) work in tandem to enhance safety and awareness.
- ✔ **Accident Detection & Auto-Save:** A built-in gyroscope detects sudden movements, while LTE connectivity ensures crucial footage is automatically saved and uploaded to the cloud.
- ✔ **Abundant Storage:** Comes with 4GB RAM, 32GB ROM, and support for up to 256GB expandable memory, ensuring ample space for all your recordings.
- ✔ **Connectivity & Control:** Integrated GPS, Wi-Fi, and Bluetooth provide enhanced connectivity, allowing real-time video uploads and in-car internet. Optional Bluetooth Button for hands-free event recording control.
- ✔ **Push-to-Talk (PTT):** Our innovative PTT feature ensures that crucial seconds before and after an incident are automatically recorded, offering irrefutable evidence and invaluable insights for training and dispute resolution.
- ✔ **AI-Based Model:** Our AI model addresses the cognitive and physical limitations of human drivers, identifying risks and directing attention where it's needed most, ensuring the safety of passengers and pedestrians alike.
- ✔ **Smart Fleet Management:** The app's intuitive interface makes it easy to monitor driver behavior, optimize routes, and reduce operational costs.

CONTACT US:

www.mobilegroup.com

Info@mobilegroup.co.il

MOBILE GROUP: PIONEERING
ADVANCED DRIVING SOLUTIONS

© ALL RIGHTS RESERVED - Mobile Group Copyright 2024

Specifications provided by the manufacturer are subject to modification at any time without prior notification. Mobile Group disclaims any responsibility for inaccuracies or omissions in the provided information.

MG VISION-LITE

Product Overview

SPECIFICATIONS:

• OS	Android 12
• CPU	SL7862 2* Cortex-A75@1.8GHz+6* Cortex-A55@1.8GHz
• GPU	G52 3EE 2C@614.4MHz
• DDR	4GB RAM
• Flash	32GB ROM
• Storage	TF Card upto 256GB
• Supported SIM card type	Micro SIM card
• Cellular Bands	LTE(FDD): B3(1800)/B5(850)/B8(900) /B7(2600), B28a(700)+b(700) (TDD): B39(1900)/B40(2300)/B41(2500)
• SCREEN	3.97 inch 800x480 IPS
• TP	Multi touch
• Front Camera	200M pixel 1920*1080P 120° Wide Angle
• Internal Camera	AHD 720P LENS 2.7mm PAL POWER: DC 12v 0.127A
• Record	Recycling Record
• Power Charger	5m USB Charger/ Two Slot
• Operating Voltage	DC 5V
• Operating Current	≤2A @ 5V
• Working Temperature	-20°C ~ +70°C
• Storage Temp	-30°C ~ +80°C
• GPS	Internal Antenna
• Bluetooth	Bluetooth v5 & BLE
• WIFI	2.4G & 5GHz WIFI Hotspot/ WIFI 802 11a/ b/ g/ n
• Gyroscope	G-sensor 3 axis
• MIC	Single MIC
• Backup Battery	200mAh
• Bluetooth Accessories	Bluetooth PTT button, Bluetooth "camera" button, BLE temperature sensor, Bluetooth speake

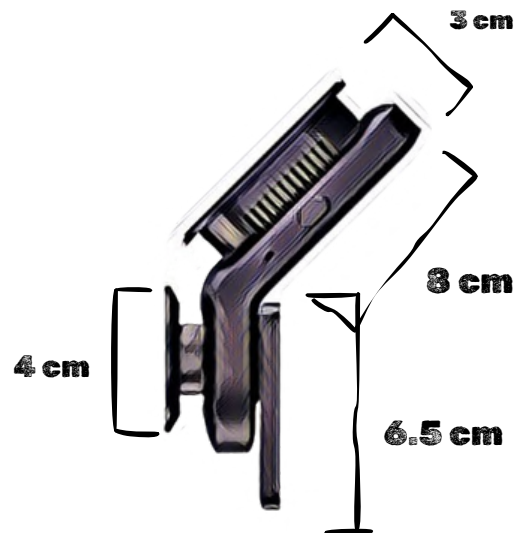
© ALL RIGHTS RESERVED - Mobile Group Copyright 2024

Specifications provided by the manufacturer are subject to modification at any time without prior notification. Mobile Group disclaims any responsibility for inaccuracies or omissions in the provided information.

MG VISION-LITE

Product Overview

DIMENSIONS:



Back view



CONTACT US:



www.mobilegroup.com



Info@mobilegroup.co.il

WHETHER IT'S DEVELOPING
ADVANCED AUTOMOTIVE SOLUTIONS,
ENHANCING COMMUNICATION
SYSTEMS, OR REVOLUTIONIZING
VIDEO AI TECHNOLOGIES, **MOBILE
GROUP** IS YOUR **GO-TO PARTNER** FOR
RELIABLE AND INNOVATIVE
SOLUTIONS

© ALL RIGHTS RESERVED - Mobile Group Copyright 2024

Specifications provided by the manufacturer are subject to modification at any time without prior notification. Mobile Group disclaims any responsibility for inaccuracies or omissions in the provided information.